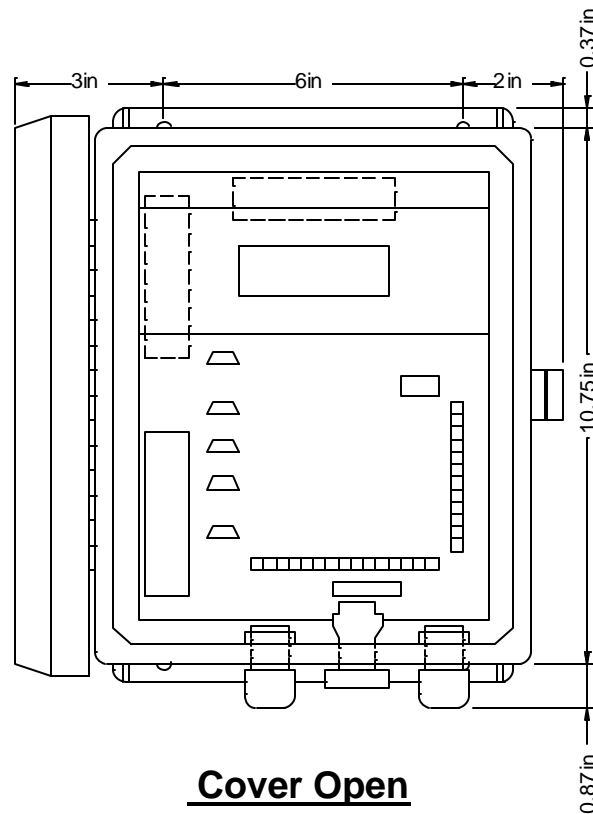
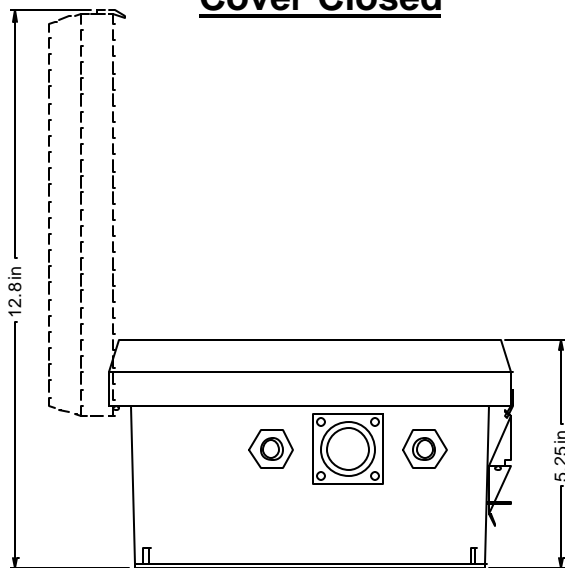


Cover Closed



Cover Open



Bottom View

Notes:

1. Standard enclosure material is FRP. Stock enclosure is rated NEMA 4X (IP 66).
2. Allow clearance on right and bottom sides for enclosure opening and wire/cable entry.
3. See wiring diagram(s) for typical wiring connections.
4. Cable gland(s) may be replaced with conduit if desired.

PROPRIETARY INFORMATION

This document contains information proprietary to MGD Technologies Inc. and shall not be disclosed, duplicated, or used as a basis for design, manufacture, or sale of apparatus without express written permission of MGD Technologies Inc.

Data subject to change
without notice

-revision history-	<p><i>MGD Technologies Inc.</i> 9815 Carroll Canyon Road #200 San Diego, CA 92131 (858) 695-9225 www.mgdinc.com</p>
Created: 4 December 2002	
Sheet of 1 of 1	