

Isco Syringe Pumps

Syringe Pump Controller

NEW! DISPENSE MODE

The D-Series syringe pump controller regulates all pumping functions. It is designed to sit on top of the pump base, but it may also be located elsewhere, depending upon safety and convenience considerations.

The rear panel of the pump controller contains input and output connectors. The only operation control included on the pumps themselves is the main power switch.

Key Controller Functions

- Constant Flow
- Constant Pressure
- Program Gradient
- Dispense Mode
- Run/Stop
- Refill



Operating Modes

- Constant flow or pressure with up to three pumps
- Gradient LC programming
- Flow or pressure programming with a single pump

External Interface

- RS232 serial interface
- Analog voltage inputs
- Digital inputs and outputs

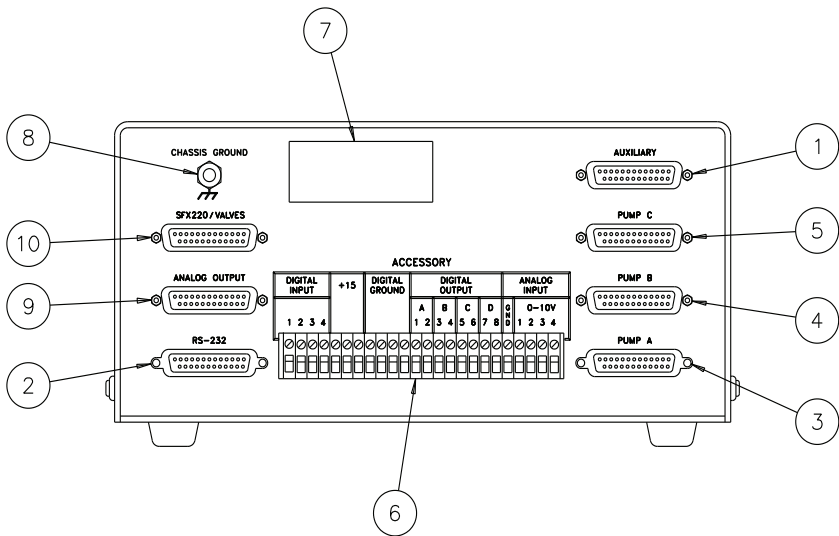


Pump Controller Key Functions

CONST FLOW:	Selects constant flow rate mode
CONST PRESS:	Selects constant pressure mode
PRGM GRAD:	Selects gradient mode and accesses gradient programming
DISP:	Activates dispense mode
RUN:	Turns on pump driver motor to move piston upward
STOP:	Turns off pump driver motor to cease piston movement
LIMITS:	Enables changes to maximum and minimum pressure and flow limits
RAPID PRESS:	Allows rapid pressurization to the stable pressure point
ACC CTRL:	Accessory control that manually operates accessories such as valves
MENU:	Provides access to operational modes, units, and optional parameters
RUN:	Turns on pump driver motor to move piston upward
REFILL:	Pump drive motor moves piston downward at a programmed rate
Dimensions (H x W x D):	13.59 cm x 27.18 cm x 30.48 cm
Weight:	2.96 kg

Teledyne Isco is continually improving its products and reserves the right to change specifications without notice.

Pump Controller Connections



- 1 - Auxillary connections
- 2 - RS-232 connection
- 3 - Connection for pump A
- 4 - Connection for pump B
- 5 - Connection for pump C
- 6 - Accessory I/O connector
- 7 - Serial number tag with voltage info
- 8 - Chassis ground
- 9 - Analog output option
- 10 - Optional valve connection

Ordering Information

Syringe Pump Controller (only).....	68-1240-026
Analog Output Upgrade Kit	68-1247-070
4-20 mA Current Loop Input Converter (externally mounted).....	68-1247-119
4-20 mA Current Loop Output Converter (internally mounted)	68-1247-120
RS-232 Cable (9 pin sub D to 25 pin sub D extension)	48-0799-600
10 ft. Extension Cable	68-1020-210
50 ft. Extension Cable	68-1020-214



Teledyne Isco, Inc., 4700 Superior Street, Lincoln, NE 68504 USA
 Toll free: (800) 228-4373 (USA and Canada) • Phone: (402) 464-0231 • Fax: (402) 465-3022
 e-mail: iscoinfo@teledyne.com • www.isco.com